

# 4MP LPR Bullet Camera (8 to 32mm, PoE, H.265, warm light(IR))

PKC2640@Z80(-IR)-P



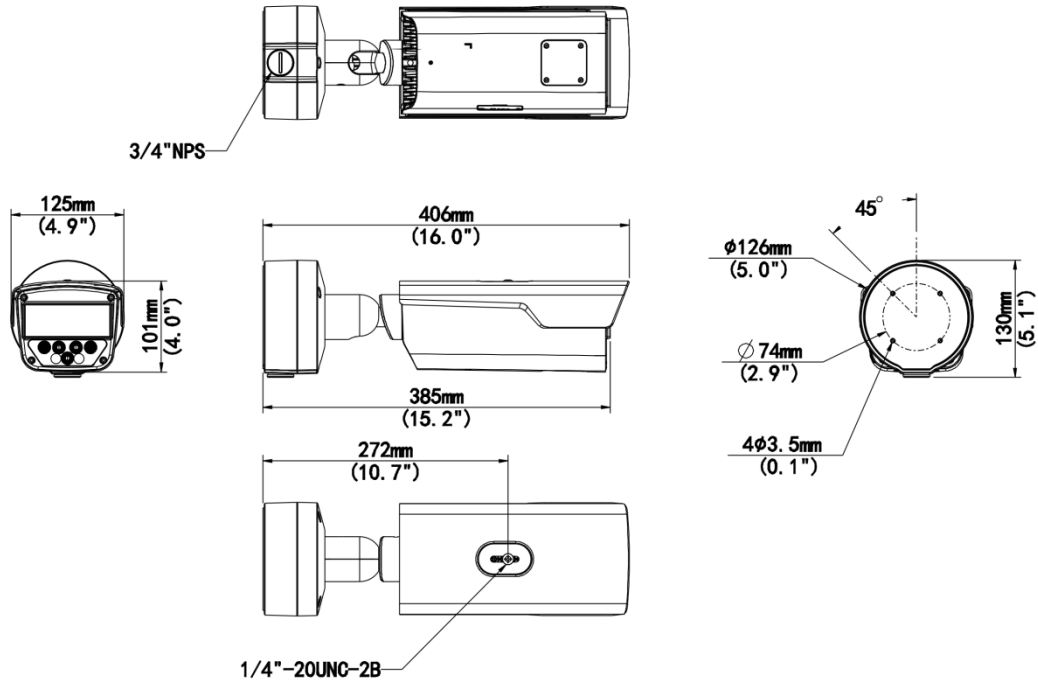
## Specifications

Model	PKC2640@Z80-IR-P	PKC2640@Z80-P
<b>Camera</b>		
Sensor	1/1.8-inch 4MP CMOS	
Focal length	8 to 32mm	
Shutter	Auto/Manual, range: 1/30 to 1/100000s	
Minimum illumination	0.002lux (F1.7)	
FOV	Horizontal FOV: 42.4° to 15.9°, Vertical FOV: 23.9° to 9.8°, Diagonal FOV: 52.5° to 17.8°	
WDR	120 dB	
<b>Image</b>		
Image collection format	2688*1520@30 (default), 2688*1520@25	
Frame rate	30 (default), 25, 22, 20, 18, 16, 15, 12.5, 10, 8, 6, 5, 4, 3, 2, 1	
Video compression	H.264 (default), H.265	
ROI	Supports up to 8 regions	
Video OSD	Supports 8 overlay areas and allows contents including date, time, date&time, zoom ratio, custom contents	
Image OSD	Supports 8 overlay areas and allows contents including time, license plate number, device ID, camera ID, allowlist, image authentication ID, custom contents (3 items), location	
<b>Display Parameters</b>		

Resolution	Main stream: 2688*1520, 1080P (default), 720P, D1; Sub stream: 720P (default), D1, 2CIF, CIF; Third stream: D1 (default), 2CIF, CIF	
<b>Smart</b>		
Application scenario	≤ 80km/h for regular roads; Camera with the focal length of 8 to 32mm can be used for regular roads	
Vehicle detection mode	Supports video detection	
License plate number recognition	Supports recognition of license plates with numbers and letters by default	
List configuration	Supports allowlist and blocklist configuration, each list allows 20,000 items Supports import, export, add, and delete operations	
Barrier opening policy	Open barrier only for the recognized vehicles Open barrier for all vehicles Open barrier only for vehicles on the allowlist Open barrier for vehicles not on the blocklist Configurable Boolean output ID	
<b>Storage</b>		
Edge storage	Supports ANR with a Micro SD card, up to 256GB	
<b>Structure</b>		
Illumination	Built-in integrated illumination module, including 4 IR LEDs, 50m illumination distance, automatic on/off control	Built-in integrated illumination module, including 4 warm light LEDs, 50m illumination distance, automatic on/off control
Bracket	3-axis mounting bracket	
Junction box	The camera comes with a junction box for storing tail cable	
<b>Interface</b>		
BNC	PAL,NTSC	
Network interface	1×10M/100M RJ45	
Serial port	1 × RS485	
Boolean output	1 relay output, withstand voltage: AC 125V/0.3A, DC 30V/1A	
Boolean input	2 x input, supports level (up to DC 5V) and switch signal	
Audio interface	1 × audio input, 1 × audio output	
Storage interface	1 × Micro SD card slot	
Reset button	Support	
<b>Network</b>		
Protocols	IGMP,IPv6,ICMP,ARP,TCP,UDP,DHCP,PPPoE,RTSP,DNS,DDNS,NTP,UPnP,HTTP,HTTPS,802.1x,SNMP,QoS,SSL/TLS,SSH,IPv4	
Compatible Integration	ONVIF (Profile S, Profile G, Profile T),SDK, API	
<b>General</b>		
Weight	2.1kg	
Ingress protection	IP67, IK10	

Power supply	DC12V + 25% - 10% Max. power consumption: 20W Supports PoE (802.3at, class 4)
Dimensions (L×W×H)	406mm x 126mm x 130mm
Operating environment	-40°C to 60°C, ≤90% RH
Heater	N/A
<b>Compliance</b>	
NDA Compliant	Support
<b>Certification</b>	
EMC	CE-EMC (EN 55032:2015+A11:2020+A1:2020,EN 61000-3-3:2013+A1:2019+A2:2021,EN IEC 61000-3-2:2019+A1:2021, EN 50130-4:2011+A1:2014) FCC(FCC CFR 47 part15 B,ANSI C63.4 2014)
Safety	EN IEC 62368-1:2020+A11:2020 UL (UL 62368-1, 2nd Ed., Issue Date: 2014-12-01)
Environment	CE-RoHS (2011/65/EU;(EU)2015/863);WEEE (2012/19/EU)
Protection	IP67(IEC60529:1989+AMD1:1999+AMD2:2013) IK10(IEC 62262:2002+AMD1:2021)

## Dimensions



## Accessories

TR-UP06-C-IN

Pole Mounting Bracket for Bullet Junction

Box Only



## Ordering Info

Product Model	Config	Description
PKC2640	Z80-P	4MP LPR Bullet Camera (8 to 32mm, PoE, H.265, warm light)
	Z80-IR-P	4MP LPR Bullet Camera (8 to 32mm, PoE, H.265, IR)

**Zhejiang Uniview Technologies Co., Ltd.**

No. 369, Xietong Road, Xixing Sub-district, Binjiang District, Hangzhou City, 310051, Zhejiang Province, China

Email: [overseasbusiness@uniview.com](mailto:overseasbusiness@uniview.com); [globalsupport@uniview.com](mailto:globalsupport@uniview.com)

<http://www.uniview.com>

©2023-2025 Zhejiang Uniview Technologies Co., Ltd. All rights reserved.

\*Product specifications and availability are subject to change without notice.

\*Despite our best efforts, technical or typographical errors may exist in this document. Uniview cannot be held responsible for any such errors and reserves the right to change the contents of this document without prior notice.