

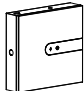






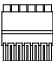
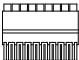



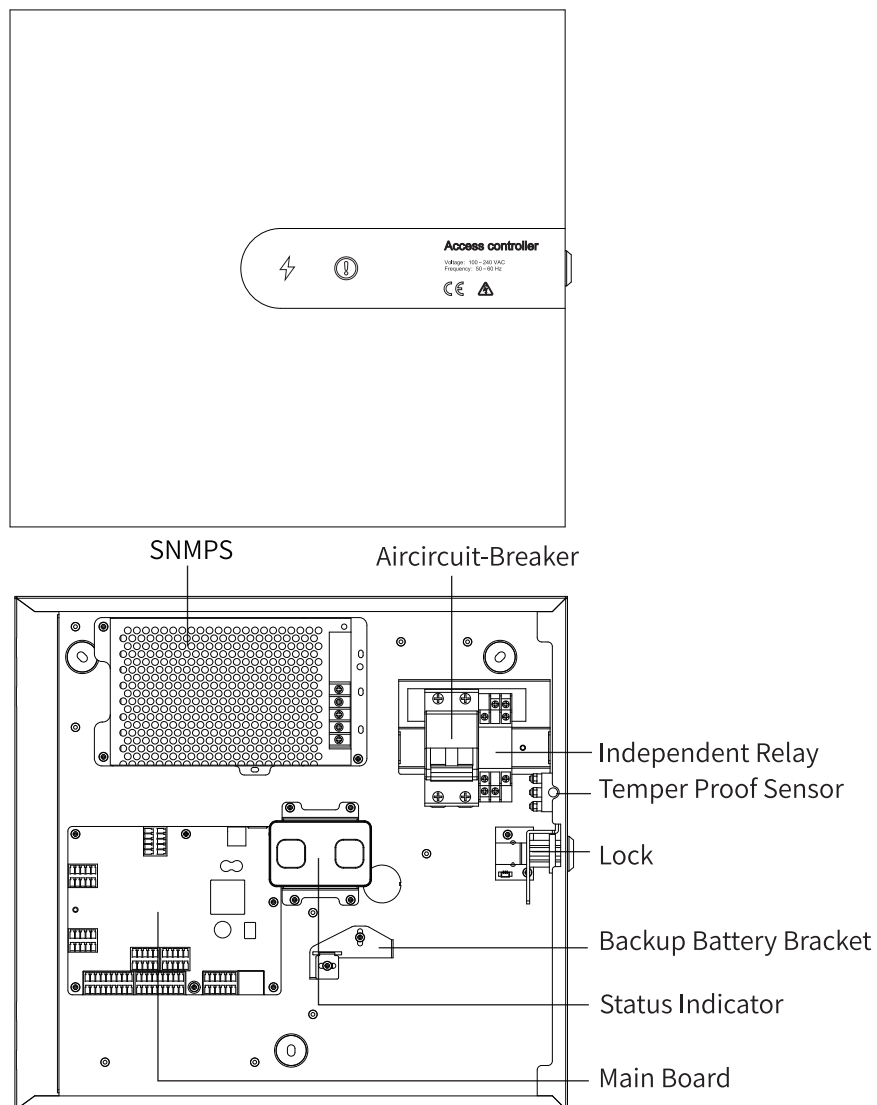


## Unpacking

Before you start using the device, please check the product version, and ensure that the following items are included in the shipped box:

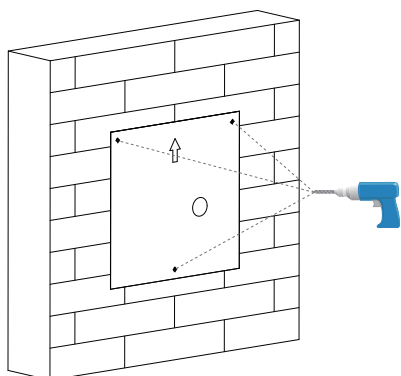
- |  |  |  |
|--|--|--|
|  Wall-mounting template x 1 |  Plastic wall anchor x 3            |  A094 x 1                                 |
|  ST4x20 crosshead screw x 3  |  Silicone pad (for wire) x 2        |  Cable gland x 1                          |
|  M3x5 crosshead screw x 3    |  Wire fastener x 3                  |  Wire x 9<br>5pcs<br>2pcs<br>1pcs<br>1pcs |
|  2x5-PIN terminal block x 4 |  2x9-PIN terminal block x 2         |  Cable tie x 5                            |
|  Key x 2                    |  Silicon pad (for power supply) x 1 |  |

## Product Overview



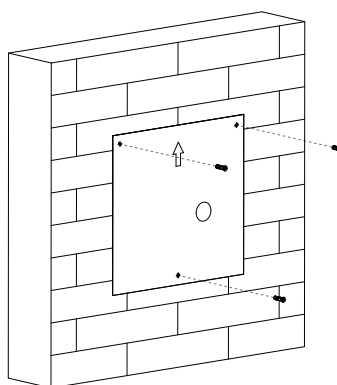
## Installation

1



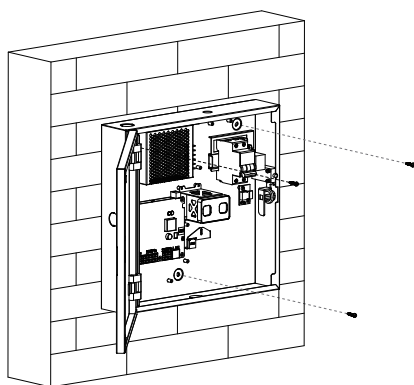
Stick the wall-mounting template on the wall where the device needs to be installed. According to the screw hole position on the template, use an electric drill to drill the hole with a diameter of 6mm and a depth of 25mm.

2



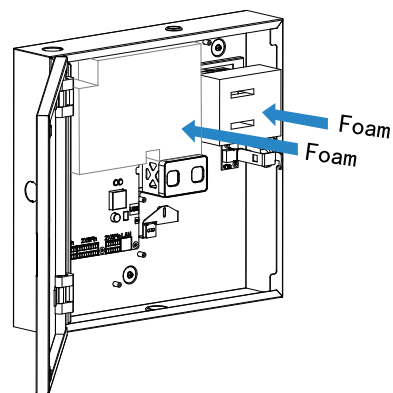
Insert plastic wall anchors into the holes.

3



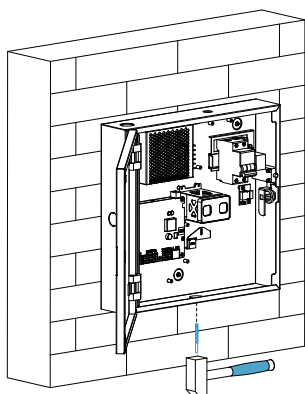
Fix A094 with three ST4x20 crosshead screws on the wall.

4



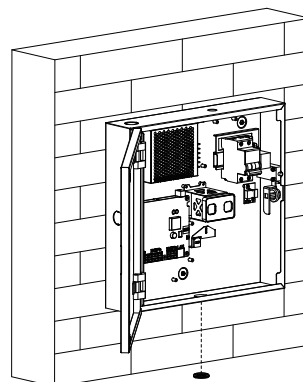
Open the cover of device, then remove and throw out the protective foams of power supply and air switch.

5



Knock a lead hole with the appropriate tool according to the desired wiring position.

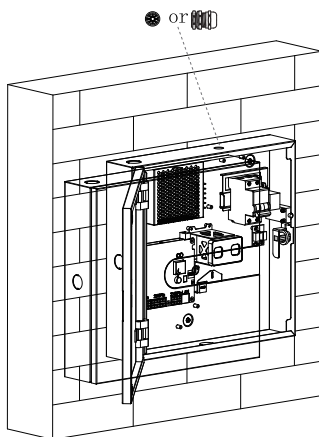
6



Place silicone pad for lead hole.

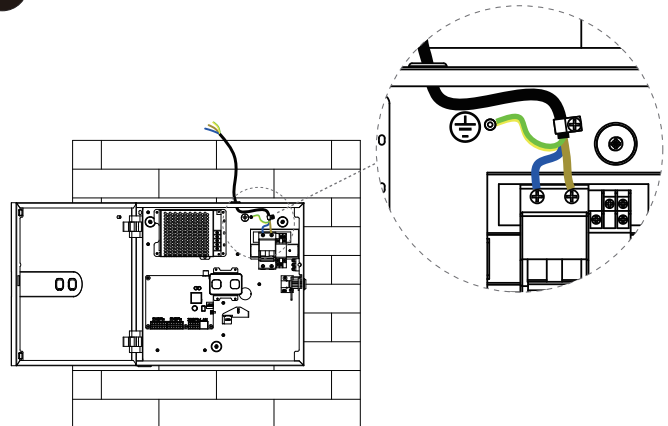
# A094 Quick Guide

7



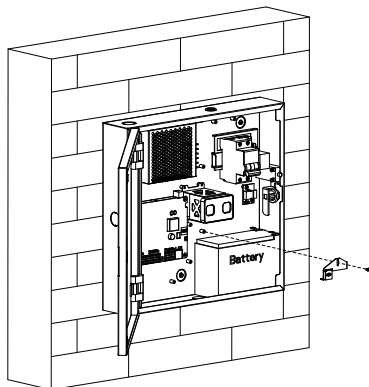
Please place cable gland or silicone pad as the figure shown according to your need.

8



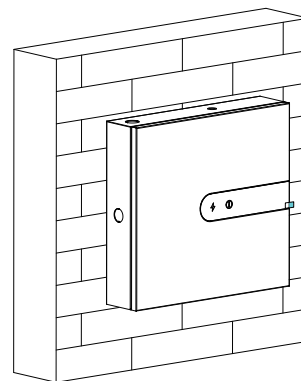
Connect the provided wire as shown in the figure, then use M3X5 crosshead screw and wire fastener to fix the wire on the A094.

9



Place the battery as shown in the figure, and use the fixing plate and M3X5 crosshead screw to fix it.

10



The installation is done, and please lock the cover. Then remove the protective film.

## Configuration

- 1.IP address checking: While A094 starts up normally, click **Search** key in the IP Scanner tool to search the IP address. (Please consult Akuvox Technical Team for IP Scanner tool).
- 2.Access the Web UI: Type the IP address into browser to configure the device.

## Operation

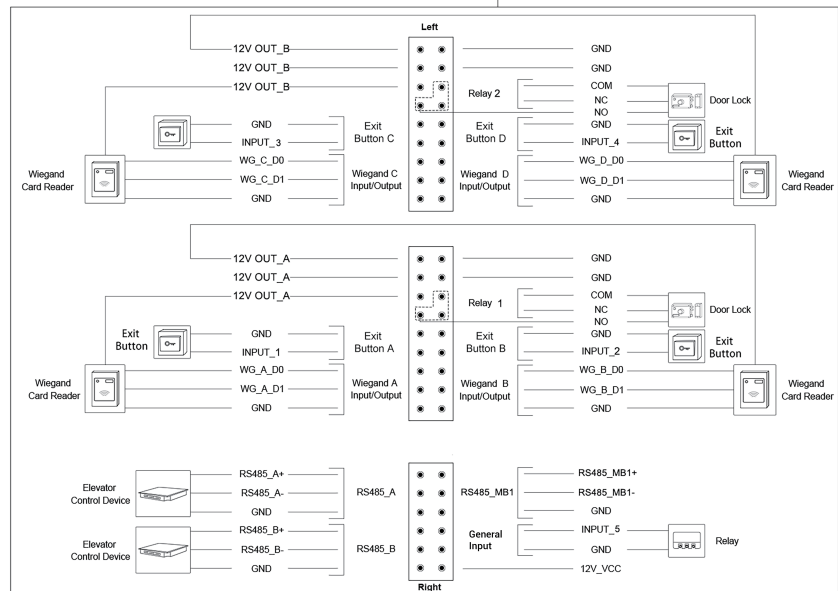
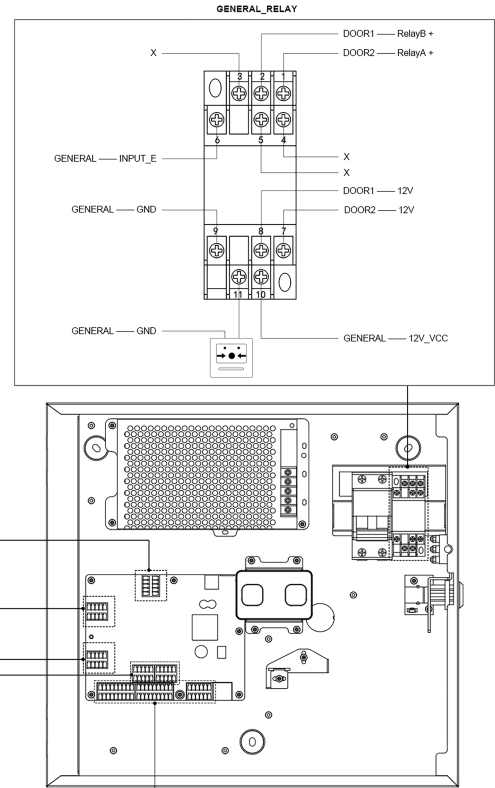
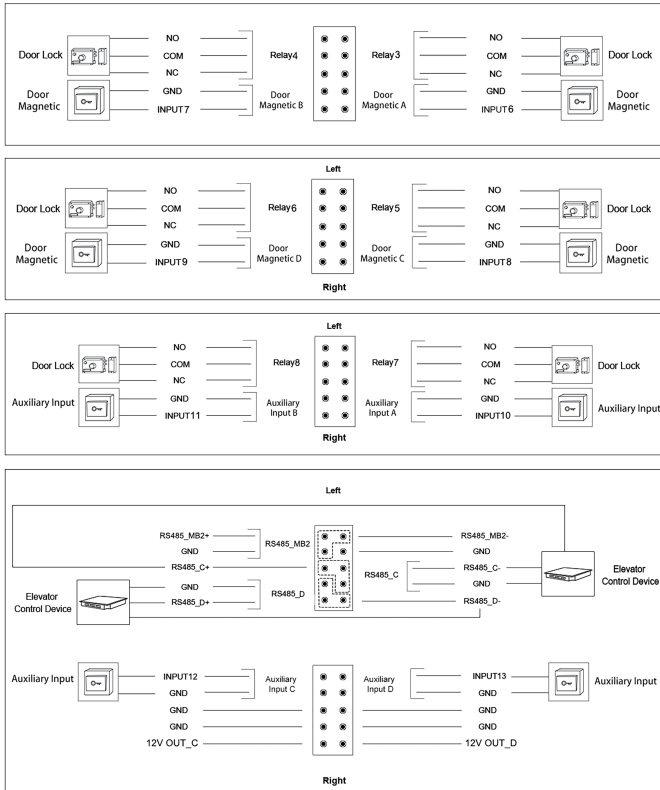
### Unlock Door

- 1.After swiping the card on the card reader, A094 will unlock the electronic lock;
- 2.Press the door button, A094 will unlock the electric lock.

### Fire Alarm

When the fire alarm is triggered, A094 will unlock the electronic lock of all doors.

## Device Wiring



### Notice Information

Information contained in this document is believed to be accurate and reliable at the time of printing. This document is subject to change without notice, any update to this document can be viewed on Akuvox's website: <http://www.akuvox.com> © Copyright 2022 Akuvox Ltd. All rights reserved.

**AKUVOX (XIAMEN) NETWORKS CO., LTD.**

Add.: 10/F, NO.56 GUANRI ROAD, SOFTWARE PARK II, XIAMEN 361009, CHINA

[www.akuvox.com](http://www.akuvox.com)



YS0940000